

# Halogen reflector

ELC/FA 250W 24V



Philips' halogen reflector lamps offer the ideal no-fuss solution for a wide variety of medical, projection and scientific illumination systems. Their proven reliability makes them ideal for retrofit installations. The burners are precisely aligned for optimal light performance. Dichroic reflectors ensure heat dissipation towards the back of the optical system, which helps the optical system remain within temperature limits. A special blue-filter version blocking out unwanted light above 700 nm is available for dental curing applications. In addition, you get all the proven advantages of halogen technology such as a CRI of 100 – the same as natural sunlight for the best possible color rendering. Halogen lamps also create a comfortable warm white light, and they maintain their high lumen output with almost no lumen reduction throughout their lifetime.

## Product data

### • General Characteristics

Philips Code	13631
ANSI Code	ELC/FA
LIF Code	A1/259
Cap-Base	GX5.3
Bulb Material	Quartz-UV Open
Reflector Finish	Facetted
Operating Position	s90
Main Application	Projection
Life to 50% failures	50 hr

### • Light Technical Characteristics

Color Rendering Index	100 Ra8
Color Temperature Technical	3400 K
Luminous Flux Lamp	1500 Lm

### • Electrical Characteristics

Watts	250 W
Voltage	24 V
Dimmable	Yes

### • Luminaire Design Requirements

Pinch Temperature	400 (max) C
Bulb Temperature	900 (max) C
Working Distance WD	32 mm

### • Product Dimensions

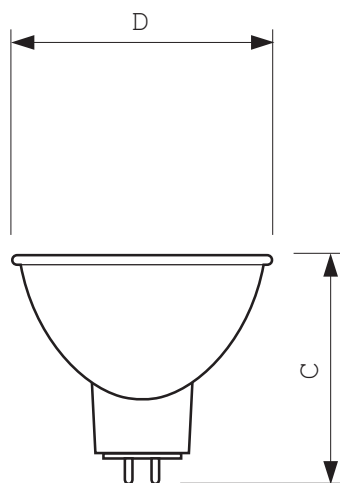
Overall Length C	44.45 (max) mm
Diameter D	50.67 (max) mm
Filament Dimensions (WxH) [mm]	-

### • Product Data

Product number	231035
Full product name	13631 250W GX5.3 24V 1CT
Short product name	13631 250W GX5.3 24V 1CT/24
Pieces per Sku	1
eop_pck_cfg	24
Skus/Case	24
Bar code on pack	8711500410757
Bar code on case	8711500416292
Logistics code(s)	924010520594
eop_net_weight_pp	26.000 gr

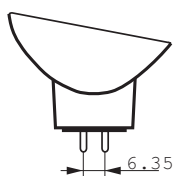
## Dimensional drawing

## Dimensional drawing



### GX5.3, GY5.3, GZ6.35

Product	C (Max)	D (Max)	L (Min)	L (Norm)	L (Max)
13631 250W GX5.3 24V	44.45	50.67	-	-	-



GX5.3



© 2012 Koninklijke Philips Electronics N.V.  
All rights reserved.

Specifications are subject to change without notice. Trademarks are the property of Koninklijke Philips Electronics N.V. or their respective owners.

[www.philips.com/lighting](http://www.philips.com/lighting)

2012, April 11  
data subject to change